

VIS
ION

CO
UN
TER **D**

gti **DESIGNS**

CO
UN
TER

GELATO

VISION D





VISION

COUNTER

D

G E L A T O



Counter Gelato

VISION

It can be embedded in the bar, and can be displayed independently, and the use scenario is rich.

Closed design, stable refrigeration suitable for continuous storage of ice cream, no need to move in and out frequently.

Electric heating tempered glass, high permeability, let the ice cream bloom colorful beauty.

Fully enclosed refrigeration compressor unit: high efficiency, low consumption, low noise, buy rest assured, comfortable to use



Static



Opening glass



Temperature -8~-18°C



Climate Class 4: 30°C/55%



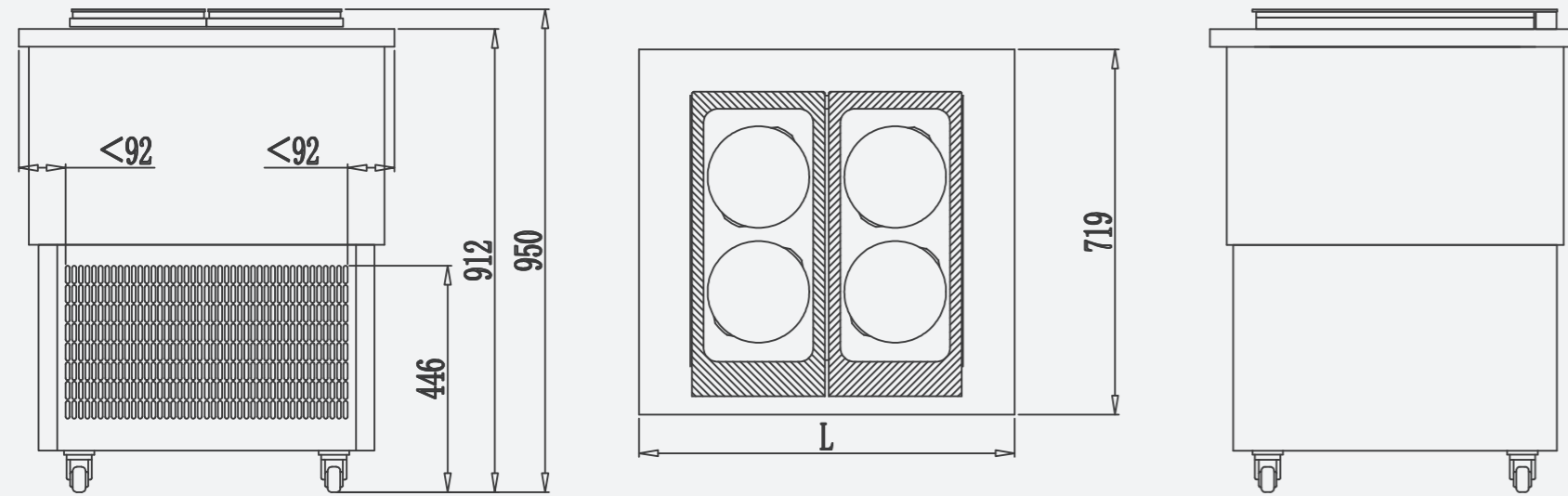
VISION D – GELATO SHOWCASE



VIS ION CO UN TER D

Technical Specification

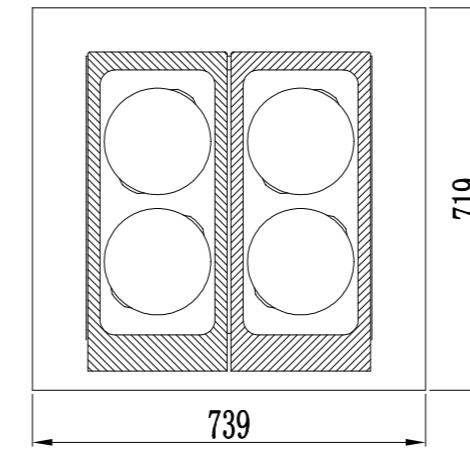
Soecification



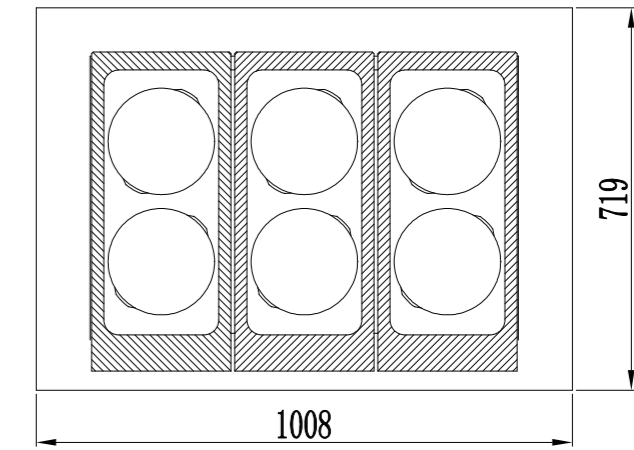
Pans or round buckets

Configuration

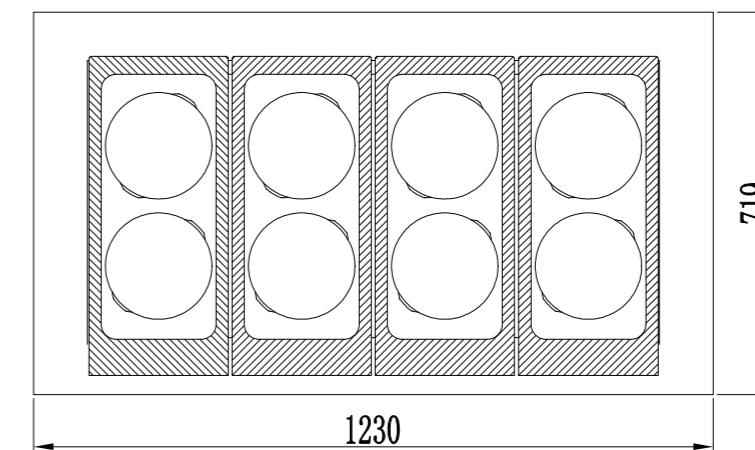
VISION 4D



VISION 6D



VISION 8D



Model	Dimensions L*W*H (mm)	Working temp (°C)	Weight (Net / Gross)(Kg)	Voltage V/Ph/Hz	Input power (W)
VISION 4D	739*719*950	-8°C~-18°C	102/140	220/1/60 220/1/60	715 860
VISION 6D	1008*719*950	-8°C~-18°C	140/180	220/1/50 220/1/60	800 960
VISION 8D	1230*719*950	-8°C~-18°C	187/240	220/1/50 220/1/60	860 1030



Counter Gelato

VISION D

Small size, low energy consumption, suitable for various use scenarios.

Full intelligent temperature control system for ice cream escort.

Gelato



雙球新裝 2球
Doppio Cono

新裝：單球
Single Cono

反式新裝 2球
Reverse Cono

反式新裝 1球
Reverse Cono

雙球新裝
Doppio Cono

單球新裝
Single Cono

雙球新裝
Doppio Cono

單球新裝
Single Cono



Gelato

■ Create happiness for
your business life

VISION D

E A S Y B E S T I S A L W A Y S T H E B E S T



35 Trade Zone Court, Ronkonkoma, NY 17729
631-981-2100 | CustomerService@gtidesigns.com
www.gtidesigns.com