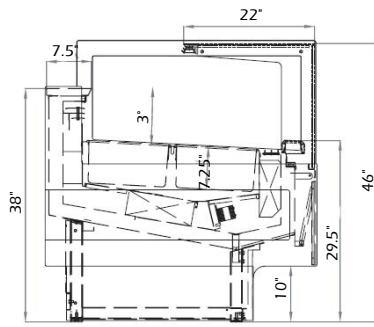


KT-24

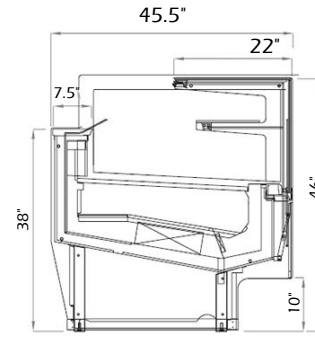
Features:

- Available for Gelato (6, 9, & 12), Pastry, & Chocolate
- Hydraulic opening front glass
- LED illumination to display better colors and flavors of your food specialities
- Wide worktop for pastry version, narrow worktop for gelato case
- Rear closing doors

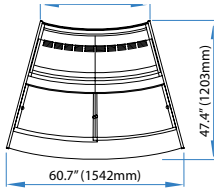




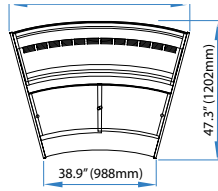
Without Shelves



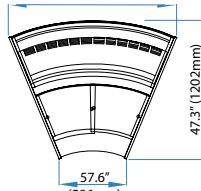
With Shelves



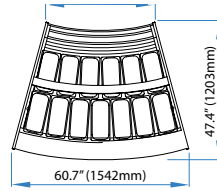
GC30



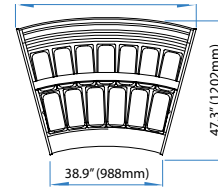
GA30



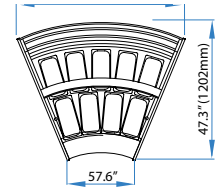
GA45



C30



A30



A45

DISPLAY CASES

Type	Model	Width	Depth	Height (HIGH GLASS)	Height (LOW GLASS)	Electrical Requirements
GELATO (available w/ Semi-Hermetic & 3 phase except 45")	KT24-G6	44.4" (1130mm)	45" (1148mm)	53.5" (1360mm)	45.7" (1160mm)	220V/1Phase/60Hz/8 Amps
	KT24-G9	65" (1655mm)	45" (1148mm)	53.5" (1360mm)	45.7" (1160mm)	220V/1Phase/60Hz/13 Amps
	KT24-G12	85.8" (2180mm)	45" (1148mm)	53.5" (1360mm)	45.7" (1160mm)	220V/1Phase/60Hz/14 Amps
	KT24-GA30	63.6" (1615mm)	45" (1148mm)	53.5" (1360mm)	45.7" (1160mm)	220V/1Phase/60Hz/8 Amps
	KT24 GC30	62.2" (1580mm)	45" (1148mm)	53.5" (1360mm)	45.7" (1160mm)	220V/1Phase/60Hz/8 Amps
	KT24 GA45	58.8" (1494mm)	45" (1148mm)	53.5" (1360mm)	45.7" (1160mm)	220V/1Phase/60Hz/8 Amps
REFRIGERATED VENTILATED	2M-RVS	44.4" (1130mm)	45" (1148mm)	53.5" (1360mm)	45.7" (1160mm)	220V/1Phase/60Hz/8 Amps
	3M-RVS	65" (1655mm)	45" (1148mm)	53.5" (1360mm)	45.7" (1160mm)	220V/1Phase/60Hz/10 Amps
	4M-RVS	85.8" (2180mm)	45" (1148mm)	53.5" (1360mm)	45.7" (1160mm)	220V/1Phase/60Hz/12 Amps
	A30-RVS	63.6" (1615mm)	47.6" (1210mm)	53.5" (1360mm)	45.7" (1160mm)	220V/1Phase/60Hz/9 Amps
	C30-RVS	62.2" (1580mm)	43.7" (1110mm)	53.5" (1360mm)	45.7" (1160mm)	220V/1Phase/60Hz/8 Amps
	A45-RVS	58.8" (1494mm)	47.6" (1210mm)	53.5" (1360mm)	45.7" (1160mm)	220V/1Phase/60Hz/9 Amps
REFRIGERATED VENTILATED (w/ Storage)	2M-RVC	44.4" (1130mm)	45" (1148mm)	53.5" (1360mm)	45.7" (1160mm)	220V/1Phase/60Hz/8 Amps
	3M-RVC	65" (1655mm)	45" (1148mm)	53.5" (1360mm)	45.7" (1160mm)	220V/1Phase/60Hz/10 Amps
	4M-RVC	85.8" (2180mm)	45" (1148mm)	53.5" (1360mm)	45.7" (1160mm)	220V/1Phase/60Hz/12 Amps
REFRIGERATED (w/ Refrigerated Selves)	2M-TT4	44.4" (1130mm)	45" (1148mm)	53.5" (1360mm)	45.7" (1160mm)	220V/1Phase/60Hz/8 Amps
	3M-TT4	65" (1655mm)	45" (1148mm)	53.5" (1360mm)	45.7" (1160mm)	220V/1Phase/60Hz/11 Amps
	4M-TT4	85.8" (2180mm)	45" (1148mm)	53.5" (1360mm)	45.7" (1160mm)	220V/1Phase/60Hz/12 Amps
CHOCOLATE	2M-RP	44.4" (1130mm)	45" (1148mm)	53.5" (1360mm)	45.7" (1160mm)	220V/1Phase/60Hz/9 Amps
	2M-RP	65" (1655mm)	45" (1148mm)	53.5" (1360mm)	45.7" (1160mm)	220V/1Phase/60Hz/12 Amps
	2M-RP	85.8" (2180mm)	45" (1148mm)	53.5" (1360mm)	45.7" (1160mm)	220V/1Phase/60Hz/15 Amps

All technical data, pictures and drawings contained in this document are not binding on the manufacturer, nor can the manufacturer be held liable for any modification of the machine, in part or in whole.