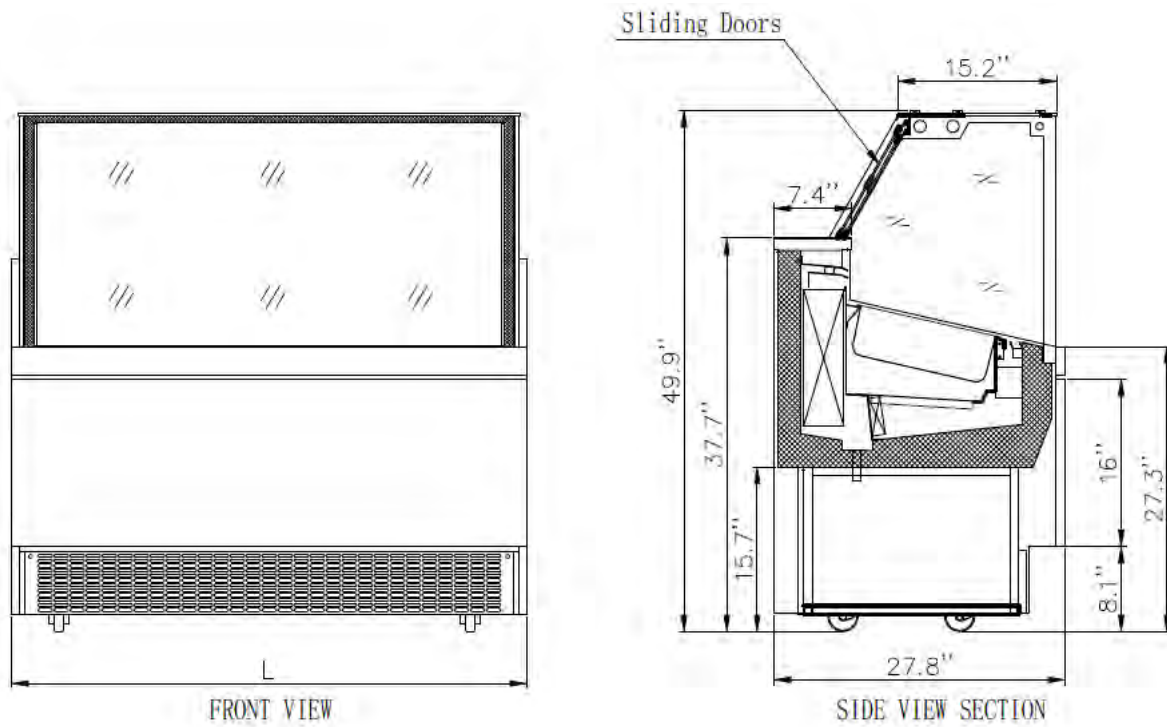


# BRIO

## Case Features:

- Great Entry-Level Display for Gelato, Ice Cream, Sorbetto, etc.
- Rear Sliding Doors
- Thermo-pane, Anti-Condensation Glass
- Can be Customized with Your Colors and Logo
- LED Lighting to Enhance Presentation
- Stainless Steel Interior
- Sizes available for 6, 7, or 9, five liter pans





**Plug Type  
(All Models)**



**6-15P**

## DISPLAY CASES

Type	Model	Pans (5L)	Width	Depth	Height	Electrical Requirements
<b>Gelato</b>	6FG	6	49.5"	28"	50"	220V/1Phase/60Hz/15 Amp
	7FG	7	56.5"	28"	50"	220V/1Phase/60Hz/15 Amp
	9FG	9	70.5"	28"	50"	220V/1Phase/60Hz/15 Amp

All technical data, pictures and drawings contained in this document are not binding on the manufacturer, nor can the manufacturer be held liable for any modification of the machine, in part or in whole.