

LEXUS SERIES BLAST FREEZER - BLAST CHILLER



Features:

- Powerful and compact blast freezer & blast chiller
- Internal rounded corners
- Temperature control probe
- Electronic control of temperature
- Self-Closing door with magnetic gasket
- Stainless steel

All technical data, pictures and drawings contained in this document are not binding on the manufacturer, nor can the manufacturer be held liable for any modification of the machine, in part or in whole.

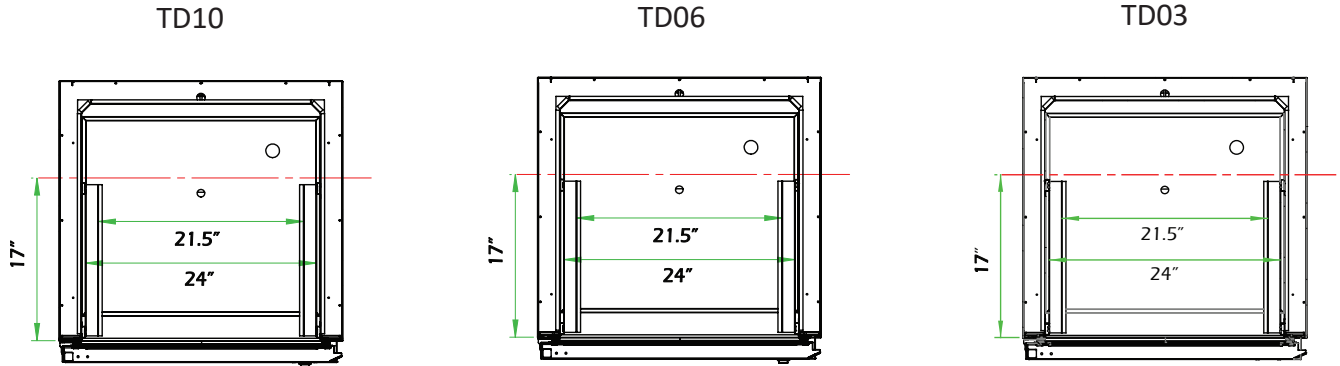


35 Trade Zone Court ■ Ronkonkoma, NY 11779 ■ www.gtidesigns.com
Phone 631.981.2100 ■ Fax 631.981.3509 ■ CustomerService@gtidesigns.com

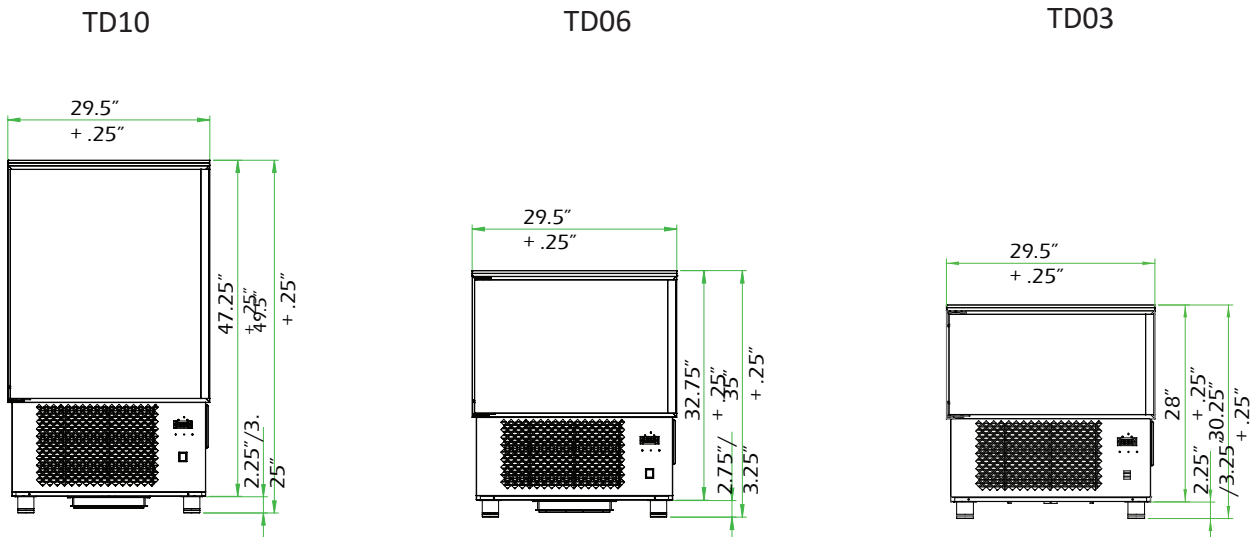
LEXUS SERIES BLAST FREEZER - Technical Specifications



Top View



Front View



LEXUS BLAST FREEZER/ BLAST CHILLER - TECHNICAL SPECIFICATIONS

| Type | Model | Temp. Range | # of Shelves | # of 5L Gelato Pan Reserve | Width | Height | Depths | Electrical Requirements |
|---------|-------|-------------|--------------|----------------------------|---------------|-----------------|-------------|-------------------------|
| Digital | TD03D | -0.4/-40° F | 1 | 3 | 29.5" (750mm) | 29.5" (750mm) | 29" (740mm) | 220V/1Phase/60Hz/5Amps |
| | TD06D | -0.4/-40° F | 2 | 6 | 29.5" (750mm) | 34.25" (870mm) | 29" (740mm) | 220V/1Phase/60Hz/5Amps |
| | TD10D | -0.4/-40° F | 5 | 15 | 29.5" (750mm) | 51.25" (1300mm) | 29" (740mm) | 220V/1Phase/60Hz/10Amps |

All technical data, pictures and drawings contained in this document are not binding on the manufacturer, nor can the manufacturer be held liable for any modification of the machine, in part or in whole.

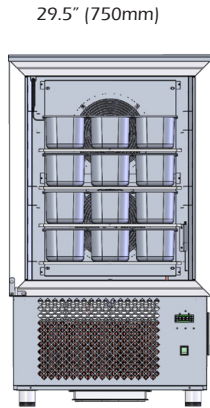


35 Trade Zone Court ▪ Ronkonkoma, NY 11779 ▪ www.gtidesigns.com
 Phone 631.981.2100 ▪ Fax 631.981.3509 ▪ CustomerService@gtidesigns.com

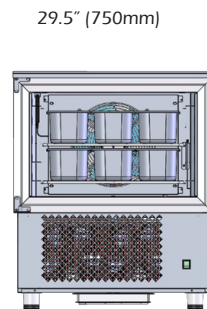
LEXUS SERIES BLAST FREEZER - Technical Specifications



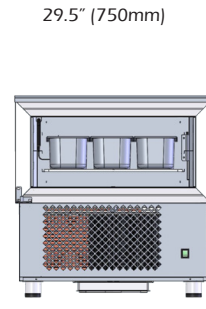
Gelato



TD10



TD06



TD03

Accessories:

Temperature Control Probe
(Standard)



Castor Wheels
(Standard)



Shelving
(Standard)



All technical data, pictures and drawings contained in this document are not binding on the manufacturer, nor can the manufacturer be held liable for any modification of the machine, in part or in whole.



35 Trade Zone Court ■ Ronkonkoma, NY 11779 ■ www.gtidesigns.com
Phone 631.981.2100 ■ Fax 631.981.3509 ■ CustomerService@gtidesigns.com