

# ItalCart

## Case Features:

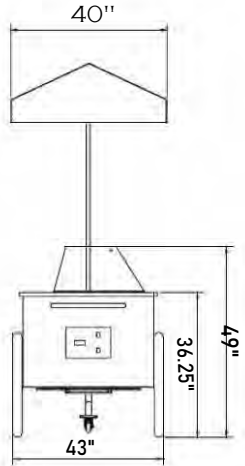
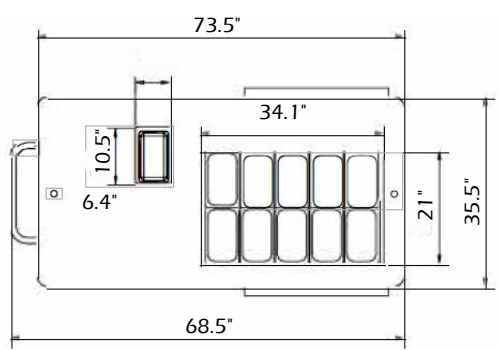
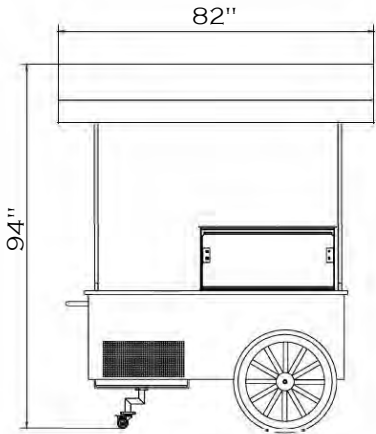
- Sized for 5 Liter Pans
- Stainless Steel Frame
- Two Large Back Wheels and One Front Wheel for Easy Movement
- \*Optional Electrical: 115V / 1Phase/60Hz/15 Amp (Must be specified upon ordering)



Plug Type



5-15P



## DISPLAY CASES

Model	5L Pans	Width	Depth	Height	Electrical Requirements
ItalCart	7	82"	40"	94"	220V/1Phase/60Hz/10 Amp

**\*Optional Electrical: 115V / 1Phase/60Hz/15 Amp (Must be specified upon ordering)**



35 Trade Zone Court ▪ Ronkonkoma, NY 11779 ▪ [www.gtidesigns.com](http://www.gtidesigns.com)  
 Phone 631.981.2100 ▪ Fax 631.981.3509 ▪ [CustomerService@gtidesigns.com](mailto:CustomerService@gtidesigns.com)