



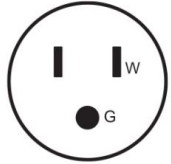
ItalCart P

Case Features:

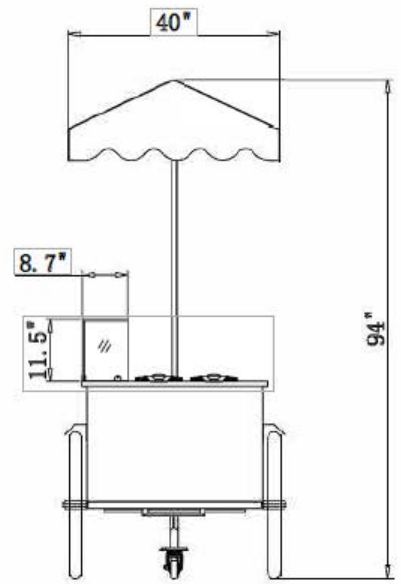
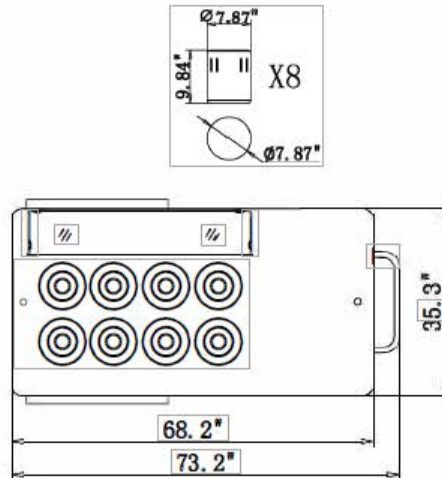
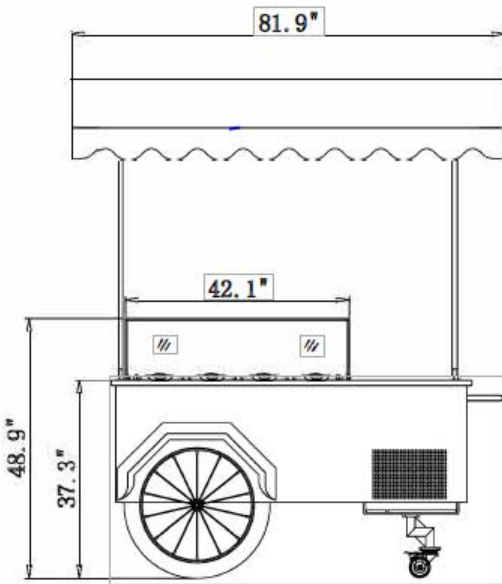
- Pozzetti-Style of ItalCart!
- Stainless Steel Frame
- Two Large Back Wheels and One Front Wheel for Easy Movement
- *Optional Electrical: 115V / 1Phase/60Hz/15 Amp (Must be specified upon ordering)



Plug Type



5-15P



DISPLAY CASES

Model	Carapinas	Width	Depth	Height	Electrical Requirements
ItalCartP	8	82"	40"	94"	220V/1Phase/60Hz/10 Amp

***Optional Electrical: 115V / 1Phase/60Hz/15 Amp (Must be specified upon ordering)**



35 Trade Zone Court ▪ Ronkonkoma, NY 11779 ▪ www.gtidesigns.com
 Phone 631.981.2100 ▪ Fax 631.981.3509 ▪ CustomerService@gtidesigns.com