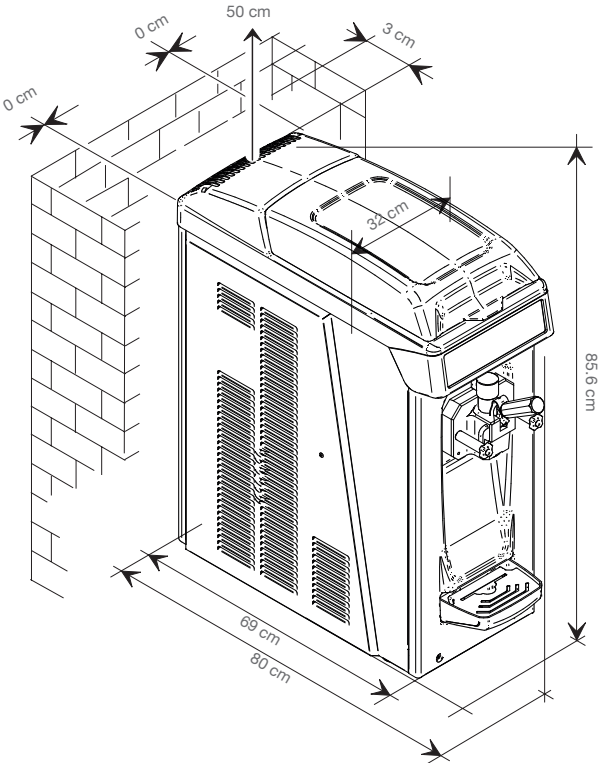


161T Soft Serve Machine



161T



Flavours	Mix Delivery System	Hourly production <i>(75gr portions)</i>	Tank Capacity <i>lt</i>	Cylinder Capacity <i>lt</i>	Rated Power Input <i>kW</i>	Fuse Size <i>A</i>	Power Supply <i>Volt Hz Ph</i>	Cooling System	Refrigerant	Net Weight <i>kg</i>	
161 T G SP	1	Gravity	200*	5	1.35	2.3	16	230/60/1**	Air	R452***	95

