

LEXUS SERIES BLAST FREEZER - BLAST CHILLER

Digital



Touch



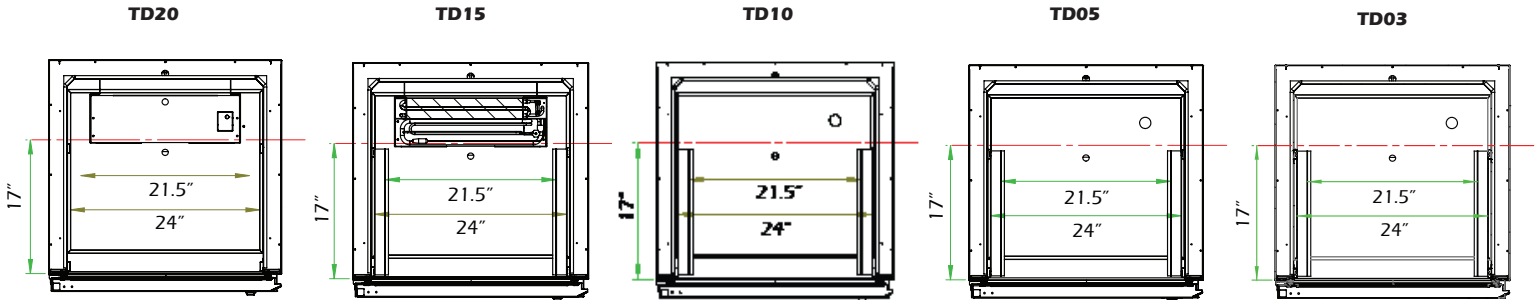
Features:

- Powerful and compact blast freezer & blast chiller
- Available in Digital & Touch options
- Internal rounded corners
- Temperature Control Probe
- Electronic Control of Temperature
- Self-closing door with magnetic gasket
- Available Finishes:
 - Stainless Steel

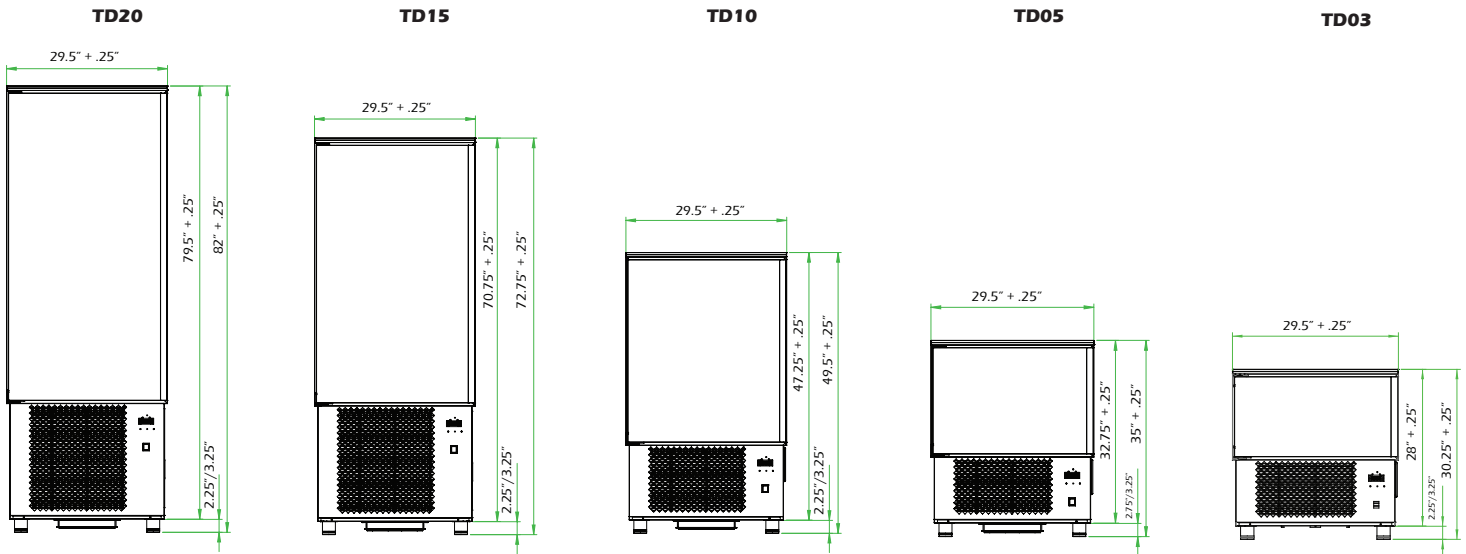
All technical data, pictures and drawings contained in this document are not binding on the manufacturer, nor can the manufacturer be held liable for any modification of the machine, in part or in whole.

LEXUS SERIES BLAST FREEZER - Technical Specifications

Top View



Front View



LEXUS BLAST FREEZER/ BLAST CHILLER - TECHNICAL SPECIFICATIONS

Type	Model	Temp. Range	# of Shelves	# of 5L Gelato Pan Reserve	Width	Height	Depths	Electrical Requirements
Digital	TD03D	-0.4/-40° F	1	3	29.5" (750mm)	29.5" (750mm)	29" (740mm)	220V/1Phase/60Hz
	TD05D	-0.4/-40° F	2	6	29.5" (750mm)	34.25" (870mm)	29" (740mm)	220V/1Phase/60Hz
	TD10D	-0.4/-40° F	5	15	29.5" (750mm)	51.25" (1300mm)	29" (740mm)	220V/1Phase/60Hz
	TD15D	-0.4/-40° F	7	21	29.5" (750mm)	73.25" (1860mm)	29" (740mm)	220V/3Phase/60Hz
	TD20D	-0.4/-40° F	10	30	29.5" (750mm)	83.5" (2120mm)	29" (740mm)	220V/3Phase/60Hz
Touch	TD03T	-0.4/-40° F	1	3	29.5" (750mm)	29.5" (750mm)	29" (740mm)	220V/1Phase/60Hz
	TD05T	-0.4/-40° F	2	6	29.5" (750mm)	34.25" (870mm)	29" (740mm)	220V/1Phase/60Hz
	TD10T	-0.4/-40° F	5	15	29.5" (750mm)	51.25" (1300mm)	29" (740mm)	220V/1Phase/60Hz
	TD15T	-0.4/-40° F	7	21	29.5" (750mm)	73.25" (1860mm)	29" (740mm)	220V/3Phase/60Hz
	TD20T	-0.4/-40° F	10	30	29.5" (750mm)	83.5" (2120mm)	29" (740mm)	220V/3Phase/60Hz

All technical data, pictures and drawings contained in this document are not binding on the manufacturer, nor can the manufacturer be held liable for any modification of the machine, in part or in whole.

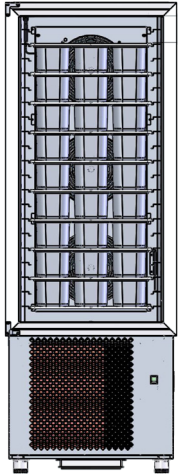


35 Trade Zone Court ▪ Ronkonkoma, NY 11779 ▪ www.gtidesigns.com
 Phone 631.981.2100 ▪ Fax 631.981.3509 ▪ CustomerService@gtidesigns.com

LEXUS SERIES BLAST FREEZER - Technical Specifications

Gelato

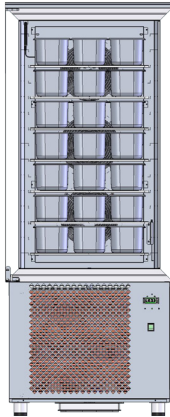
29.5" (750mm)



83.5" (2120mm)

TD20

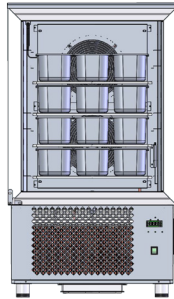
29.5" (750mm)



73.5" (1860mm)

TD15

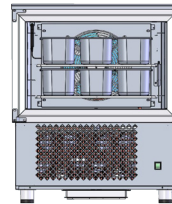
29.5" (750mm)



51.25" (1300mm)

TD10

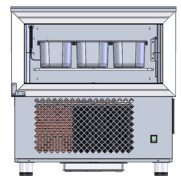
29.5" (750mm)



34.25" (870mm)

TD05

29.5" (750mm)



29.5" (750mm)

TD03

Accessories:

Temperature Control Probe
(Standard)



Castor Wheels
(At Request)



All technical data, pictures and drawings contained in this document are not binding on the manufacturer, nor can the manufacturer be held liable for any modification of the machine, in part or in whole.



35 Trade Zone Court ■ Ronkonkoma, NY 11779 ■ www.gtidesigns.com
Phone 631.981.2100 ■ Fax 631.981.3509 ■ CustomerService@gtidesigns.com