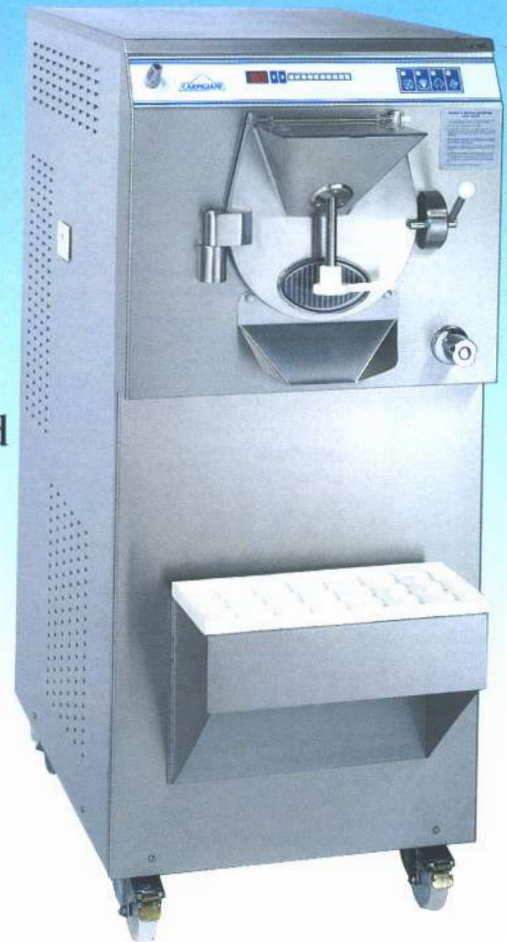




# LB-502 LB-502G

Single and Two Speed  
Batch Freezer  
Floor Model



Ice cream made easy! Carpigiani ~ USA, enjoys a reputation for superior quality; now it's building a reputation for simplicity. Our fully automatic freezer with touch pad controls is simple to operate. A novice will achieve great results on the first try, yet the flexibility of our controls will satisfy the most demanding expert. No other manufacturer offers this combination of quality and simplicity. In no time you will begin making great premium and gourmet ice cream, gelato, sorbet, water ice and much more.

## Additional Features Include

- Automatic operation with electronic consistency control
- Unique cylinder design results in faster production and smoother finished product
- Audible alarm signals when product is ready to extract
- Cam door latch provides quick interior access
- Maximum extraction results in minimal flavor overlap
- Built-in faucet with flex hose makes cleaning fast and easy
- ("G" model recommended for low overrun gourmet products, including gelato and sorbets)



Carpigiani-USA offers professional training, service and complete parts inventory. Check-out our complete line of soft serve and frozen yogurt machines, shake, slush, cocktail, and granita machines, batch freezers, whipped topping dispensers, frozen custard equipment, and mix processing equipment...

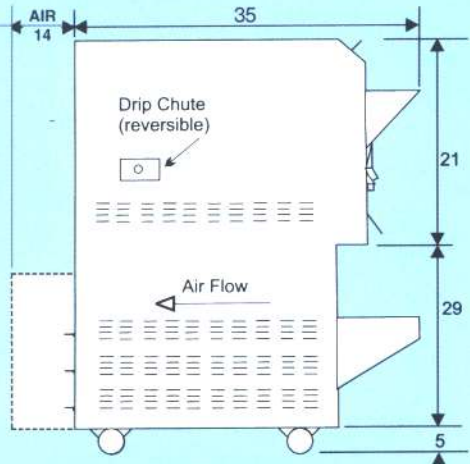
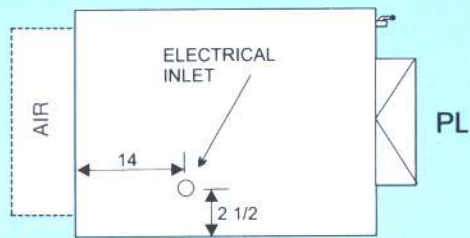
*Something for everyone!*

# SPECIFICATIONS

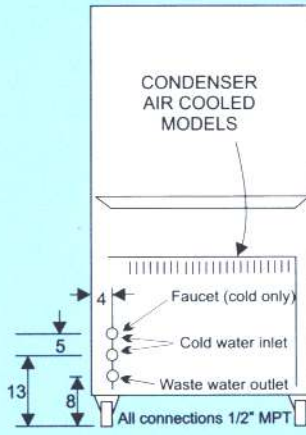
## MODEL LB-502 & MODEL LB-502G



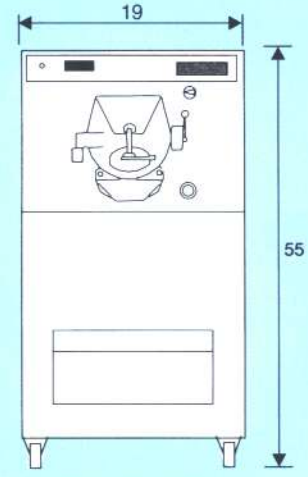
Single/two speed floor model. Designed for medium to high volume requirements.



SIDE VIEW



REAR VIEW



FRONT VIEW

### Models LB-502 & 502G

### Description

Cylinder Capacity (w/beater) \_\_\_\_\_ 21 Qts  
 Cylinder Refrig. Control System \_\_\_\_\_ Electronic  
 Cylinder Type \_\_\_\_\_ Helicoidal Path  
 Compressor Motor \_\_\_\_\_ 3 H.P.  
 Water Connections \_\_\_\_\_ 1/2" MPT  
 Condenser Cooling \_\_\_\_\_ Air or Water  
 Refrigerant Type \_\_\_\_\_ R-404A  
 Frame Type \_\_\_\_\_ Floor Model  
 Frame Construction \_\_\_\_\_ Welded Steel  
 Outer Panels \_\_\_\_\_ Stainless Steel  
 Faucet with Flex Hose \_\_\_\_\_ Standard  
 Width \_\_\_\_\_ 24 inches (610 mm)  
 Depth \_\_\_\_\_ 40 inches\* (1016 mm)  
 Height (w/casters) \_\_\_\_\_ 55 inches (1400 mm)  
 5" Casters \_\_\_\_\_ Standard

### LB-502:

Beater Drive Motor \_\_\_\_\_ 3 H.P.

\* Water Cooled

### Models LB-502 & 502G

### Description

Beater Design \_\_\_\_\_ Unibody w/Delrin Blades  
 Net Weight \_\_\_\_\_ 635 Lbs (289 kgs)  
 Gross Weight \_\_\_\_\_ 693 Lbs (315 kgs)  
 Single Phase, 60hz \_\_\_\_\_ 208/230 vac.  
 Max Breaker/Fuse Size \_\_\_\_\_ 40 Amps  
 Running Amps \_\_\_\_\_ 36 Amps  
 Three Phase, 60hz \_\_\_\_\_ 208/230 vac.  
 Max Breaker/Fuse Size \_\_\_\_\_ 30 Amps  
 Running Amps \_\_\_\_\_ 23 Amps  
 Number of Feeders \_\_\_\_\_ 1

### LB-502G:

Beater Drive Motor \_\_\_\_\_ 3.75/7.5 H.P.  
 Beater Design \_\_\_\_\_ Unibody w/Replaceable Blades  
 Net Weight \_\_\_\_\_ 693 Lbs (315 kgs)  
 Gross Weight \_\_\_\_\_ 770 Lbs (350 kgs)  
 Three Phase, 60hz \_\_\_\_\_ 208/230 vac.  
 Max Breaker/Fuse Size \_\_\_\_\_ 40 Amps  
 Running Amps \_\_\_\_\_ 35 Amps  
 Number of Feeder \_\_\_\_\_ 1



### Distributed by:

GTI Designs  
 35 Trade Zone Court  
 Ronkonkoma, NY 11779

Tel: 800-896-4484  
 631-981-2100  
 CustomerService@gtidesigns.com  
 www.gtidesigns.com