

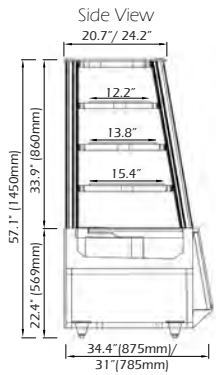
ATP Conic

Case Features:

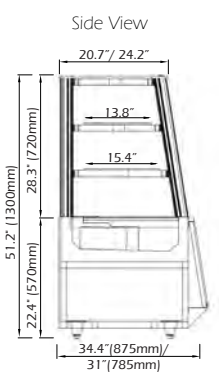
- Available for Pastry, Desserts, Bakery, Chocolates, Confectionery and Panini
- Offered in various size configurations with multiple cases integrated together
- Optional 4, 3 & 2 Levels Fully Refrigerated or Neutral/Dry
- Straight front profile maximizing product visibility
- Large display capacity
- Fixed front glass or optional opening front glass
- Easy opening rear door
- LED light technology enhances presentation
- Available in coordinating 90° Open Angle Display Cases



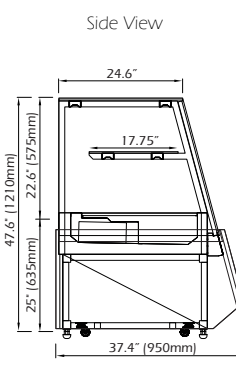
Refrigerated with Self Contained Compressor 4 Level



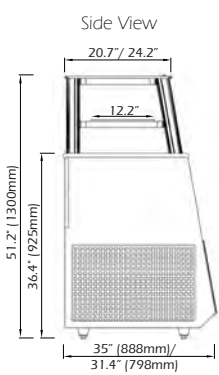
Refrigerated with Self Contained Compressor 3 Level



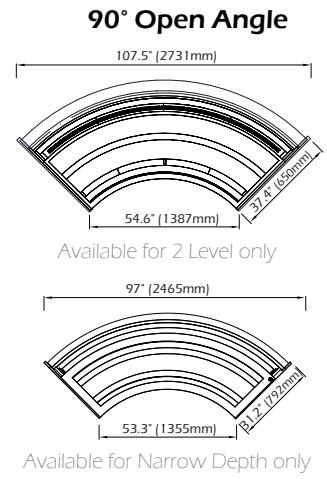
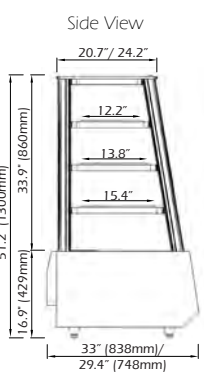
Refrigerated with Self Contained Compressor 2 Level



Refrigerated with Side Compressor



Refrigerated with Remote Compressor



DISPLAY CASES

Type	Model	Width	Depth (Standard)	Depth (Narrow)	Height	Electrical Requirements
Refrigerated with Self Contained Compressor - 4 Level 90° Open Angle	APC-1000UC4	41" (1040mm)	34.4" (875mm)	31" (785mm)	57.1" (1450mm)	220V/1 Phase/60Hz/10 Amps
	APC-1500UC4	61" (1540mm)	34.4" (875mm)	31" (785mm)	57.1" (1450mm)	220V/1 Phase/60Hz/10 Amps
	APC-2000UC4	81" (2040mm)	34.4" (875mm)	31" (785mm)	57.1" (1450mm)	220V/1 Phase/60Hz/15 Amps
	APC-2500UC4	100" (2540mm)	34.4" (875mm)	31" (785mm)	57.1" (1450mm)	220V/1 Phase/60Hz/15 Amps
	APC-90-OAUC4	97" (2465mm)	--	31" (785mm)	57.1" (1450mm)	220V/1 Phase/60Hz/15 Amps
Refrigerated with Self Contained Compressor - 3 Level 90° Open Angle	APC-1000UC3	41" (1040mm)	34.4" (875mm)	31" (785mm)	52" (1300mm)	220V/1 Phase/60Hz/10 Amps
	APC-1500UC3	61" (1540mm)	34.4" (875mm)	31" (785mm)	52" (1300mm)	220V/1 Phase/60Hz/10 Amps
	APC-2000UC3	81" (2040mm)	34.4" (875mm)	31" (785mm)	52" (1300mm)	220V/1 Phase/60Hz/15 Amps
	APC-2500UC3	100" (2540mm)	34.4" (875mm)	31" (785mm)	52" (1300mm)	220V/1 Phase/60Hz/15 Amps
	APC-90-OAUC3	97" (2465mm)	--	31" (785mm)	52" (1300mm)	220V/1 Phase/60Hz/15 Amps
Refrigerated with Self Contained Compressor - 2 Level 90° Open Angle	APC-1000UC2	41" (1040mm)	37.4" (950mm)	--	47.6" (1210mm)	220V/1 Phase/60Hz/10 Amps
	APC-1500UC2	61" (1540mm)	37.4" (950mm)	--	47.6" (1210mm)	220V/1 Phase/60Hz/10 Amps
	APC-2000UC2	81" (2040mm)	37.4" (950mm)	--	47.6" (1210mm)	220V/1 Phase/60Hz/15 Amps
	APC-2500UC2	100" (2540mm)	37.4" (950mm)	--	47.6" (1210mm)	220V/1 Phase/60Hz/15 Amps
	APC-90-OAUC2	107.5" (2731mm)	37.4" (950mm)	--	47.6" (1210mm)	220V/1 Phase/60Hz/15 Amps
Refrigerated with Side Compressor 90° Open Angle	APC-1500SC	59" (1500mm)	35" (888mm)	31.4" (798mm)	52" (1300mm)	220V/1 Phase/60Hz/10 Amps
	APC-2000SC	79" (2000mm)	35" (888mm)	31.4" (798mm)	52" (1300mm)	220V/1 Phase/60Hz/10 Amps
	APC-2500SC	99" (2500mm)	35" (888mm)	31.4" (798mm)	52" (1300mm)	220V/1 Phase/60Hz/15 Amps
	APC-3000SC	119" (3000mm)	35" (888mm)	31.4" (798mm)	52" (1300mm)	220V/1 Phase/60Hz/15 Amps
	APC-90-OASC	97" (2465mm)	--	31" (785mm)	52" (1300mm)	220V/1 Phase/60Hz/15 Amps
Refrigerated with Remote Compressor 90° Open Angle	APC-1000RC	41" (1040mm)	33" (838mm)	29.4" (748mm)	52" (1300mm)	220V/1 Phase/60Hz/* Amps
	APC-1500RC	61" (1540mm)	33" (838mm)	29.4" (748mm)	52" (1300mm)	220V/1 Phase/60Hz/* Amps
	APC-2000RC	81" (2040mm)	33" (838mm)	29.4" (748mm)	52" (1300mm)	220V/1 Phase/60Hz/* Amps
	APC-2500RC	100" (2540mm)	33" (838mm)	29.4" (748mm)	52" (1300mm)	220V/1 Phase/60Hz/* Amps
	APC-90-OARC	95" (2413mm)	--	29.4" (748mm)	52" (1300mm)	220V/1 Phase/60Hz/* Amps
Neutral 90° Open Angle	APC-1000N	41" (1040mm)	34.4" (875mm)	31" (785mm)	52" (1300mm)	220V/1 Phase/60Hz/5 Amps
	APC-1500N	61" (1540mm)	34.4" (875mm)	31" (785mm)	52" (1300mm)	220V/1 Phase/60Hz/5 Amps
	APC-2000N	81" (2040mm)	34.4" (875mm)	31" (785mm)	52" (1300mm)	220V/1 Phase/60Hz/5 Amps
	APC-2500N	100" (2540mm)	34.4" (875mm)	31" (785mm)	52" (1300mm)	220V/1 Phase/60Hz/5 Amps
	APC-90-OAN	95" (2413mm)	--	31" (785mm)	52" (1300mm)	220V/1 Phase/60Hz/5 Amps

(Option of Opening Front Glass Available)

* Compressor power is decided depending on the distance between the showcase and Compressor group.

All technical data, pictures and drawings contained in this document are not binding on the manufacturer, nor can the manufacturer be held liable for any modification of the machine, in part or in whole.